



Arch Stand Off Directions



1. Trim stand off, so that the fillet radius fits in the radius of the tube. Then, tighten down the bolt inside.

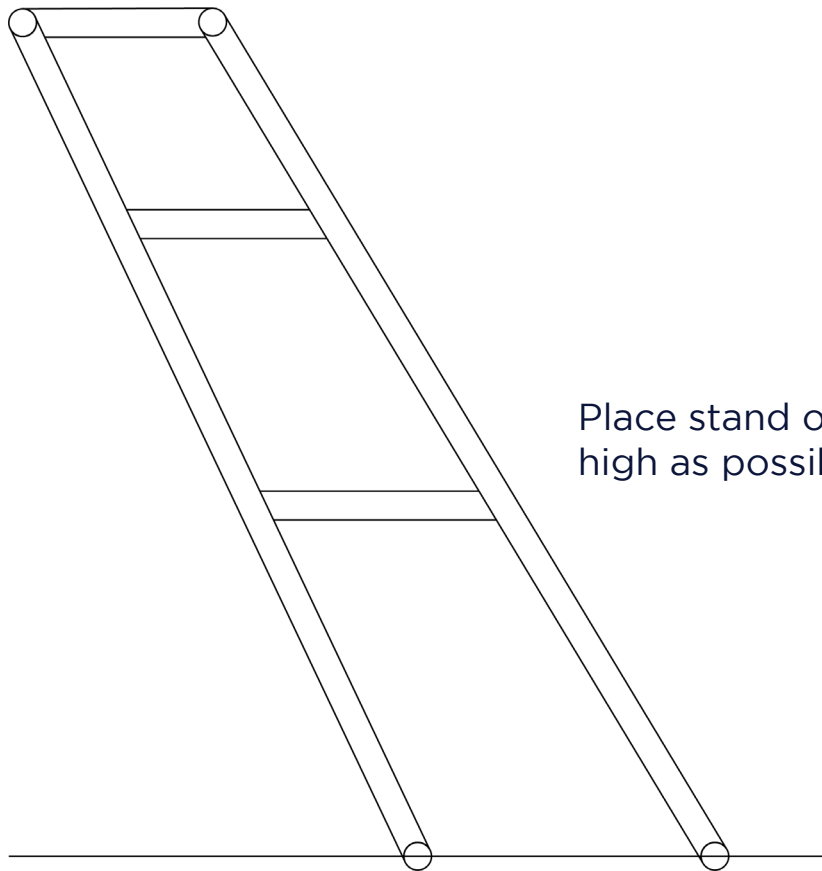


2. Drill a 5/16 hole through the center of the tube where the stand off will be mounted.



3. Place the machined washer on the bolt, and the bolt through the tube into the stand-off. Then drill the holes through the mounting plate into your boat. Then install mounting hardware, and tighten all the bolts.

If you need to fold your arch down, remove the bolt out with the machined washer and leave the stand off on your boat.



Place stand off as high as possible.

If you have any questions or are missing any components, please give us a call at (888) 675-6850.